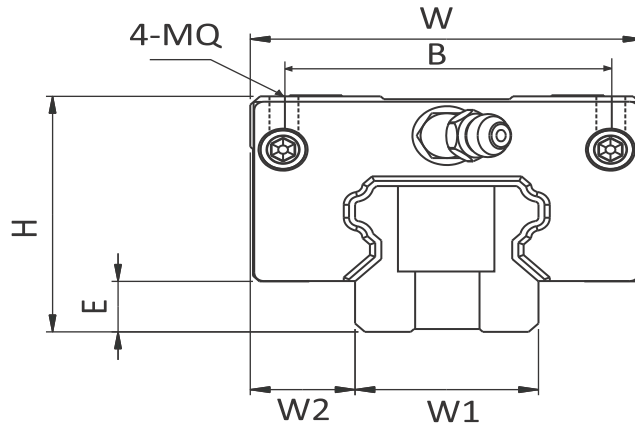


BRC-SU/UO , BRD-SU/UO



BR-UO

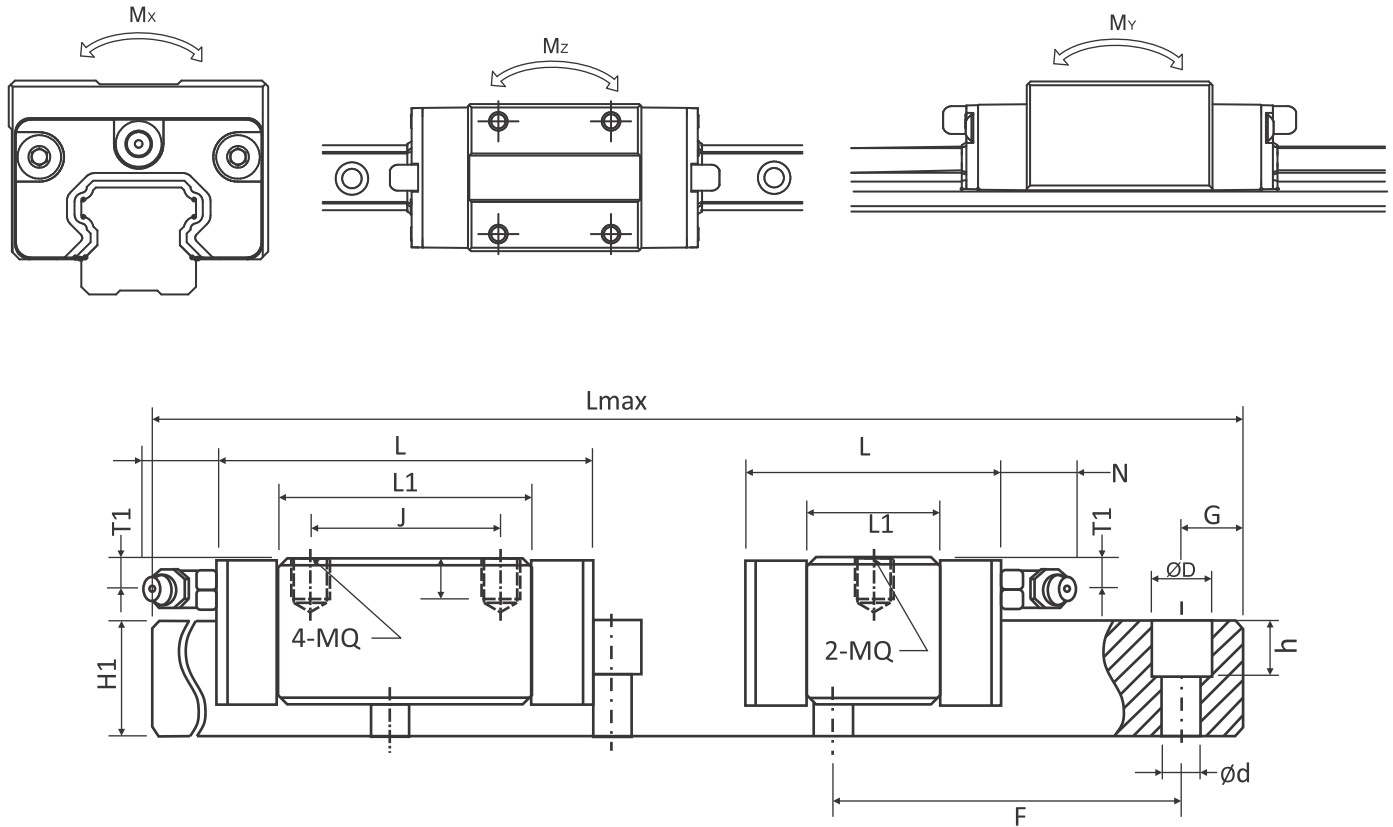
BR-SU



کد کتا	Assembly (mm)				BR block (mm)							BR rail (mm)				قیمت	
	H	W	W2	E	L	BxJ	MQxL	L1	Oil hole	T1	(N)	W1	H1	F	dxDxh	دلار	تومان
BRC 15U0	24	34	9.5	4.6	66	26x26	M4x5.6	40	∅ 3	4.3	5	15	14	60	4.5x7.5x5.8		
BRD 15U0	24	34	9.5	4.6	56	26x26	M4x5.6	40	∅ 3	4.3	5	15	14	60	4.5x7.5x5.8		
BRC 15SU	24	34	9.5	4.6	47.6	26x-	M4x5.6	21.6	∅ 3	4.3	5	15	14	60	4.5x7.5x5.8		
BRD 15SU	24	34	9.5	4.6	37.6	26x-	M4x5.6	21.6	∅ 3	4.3	5	15	14	60	4.5x7.5x5.8		
BRC 20U0	28	42	11	5	77.8	32x32	M5x6.4	48.8	M6x1	5	15.6	20	18	60	6x9.5x9.0		
BRD 20U0	28	42	11	5	67.8	32x32	M5x6.4	48.8	M6x1	5	15.6	20	18	60	6x9.5x9.0		
BRC 20SU	28	42	11	5	57	32x-	M5x6.4	28	M6x1	5	15.6	20	18	60	6x9.5x9.0		
BRD 20SU	28	42	11	5	47	32x-	M5x6.4	28	M6x1	5	15.6	20	18	60	6x9.5x9.0		
BRC 25U0	33	48	12.5	7	88	35x35	M6x8	57	M6x1	4.8	15.6	23	22	60	7x11x9.5		
BRD 25U0	33	48	12.5	7	78	35x35	M6x8	57	M6x1	4.8	15.6	23	22	60	7x11x9.5		
BRC 25SU	33	48	12.5	7	62.5	35x-	M6x8	31.5	M6x1	4.8	15.6	23	22	60	7x11x9.5		
BRD 25SU	33	48	12.5	7	52.5	35x-	M6x8	31.5	M6x1	4.8	15.6	23	22	60	7x11x9.5		
BRC 30U0	42	60	16	9	109	40x40	M8x11.5	72	M6x1	7	15.6	28	26	80	9x14x12.5		
BRD 30U0	42	60	16	9	99	40x40	M8x11.5	72	M6x1	7	15.6	28	26	80	9x14x12.5		
BRC 30SU	42	60	16	9	75.6	40x-	M8x11.5	38.6	M6x1	7	15.6	28	26	80	9x14x12.5		
BRD 30SU	42	60	16	9	65.6	40x-	M8x11.5	38.6	M6x1	7	15.6	28	26	80	9x14x12.5		
BRD 35U0	48	70	18	9.5	109	50x50	M8x12	80	M6x1	8	15.6	34	29	80	9x14x12.5		
BRD 35SU	48	70	18	9.5	74.7	50x-	M8x12	45.7	M6x1	8	15.6	34	29	80	9x14x12.5		
BRD 45U0	60	86	20.5	14	138.2	60x60	M8x1	105	M8x1	8.5	16	45	38	105	14x20x17.5		



BRC-SU/UO , BRD-SU/UO



نوع كروي	Ref.Data (mm)		Basic Load Rating (kgf)		Static Moment (kgf*m)			Weight	
	Lmax	G	C	CO	Mx	My	Mz	Block (kg)	Rail (kg/m)
BRC 15UO	4000	20	850	1350	10.1	6.8	6.8	0.17	1.4
BRD 15UO	4000	20	850	1350	10.1	6.8	6.8	0.17	1.4
BRC 15SU	4000	20	520	680	5.1	1.8	1.8	0.1	1.4
BRD 15SU	4000	20	520	680	5.1	1.8	1.8	0.1	1.4
BRC 20UO	4000	20	1400	2400	24	14.6	14.6	0.26	2.6
BRD 20UO	4000	20	1400	2400	24	14.6	14.6	0.26	2.6
BRC 20SU	4000	20	950	1400	7	4.9	4.9	0.17	2.6
BRD 20SU	4000	20	950	1400	7	4.9	4.9	0.17	2.6
BRC 25UO	4000	20	1950	3200	36.8	22.8	22.8	0.38	3.6
BRD 25UO	4000	20	1950	3200	36.8	22.8	22.8	0.38	3.6
BRC 25SU	4000	20	1250	1750	17.5	6.9	6.9	0.21	3.6
BRD 25SU	4000	20	1250	1750	17.5	6.9	6.9	0.21	3.6
BRC 30UO	4000	20	2850	4800	67.2	43.2	43.2	0.81	5.2
BRD 30UO	4000	20	2850	4800	67.2	43.2	43.2	0.81	5.2
BRC 30SU	4000	20	1750	2400	33.6	11.6	11.6	0.48	5.2
BRD 30SU	4000	20	1750	2400	33.6	11.6	11.6	0.48	5.2
BRD 35UO	4000	20	3850	6200	105.4	62	62	1.2	7.2
BRD 35SU	4000	20	2500	3650	62.1	20.9	20.9	0.8	7.2
BRD 45UO	4000	22.5	6500	10500	236.3	137.8	137.8	2.1	12.3

